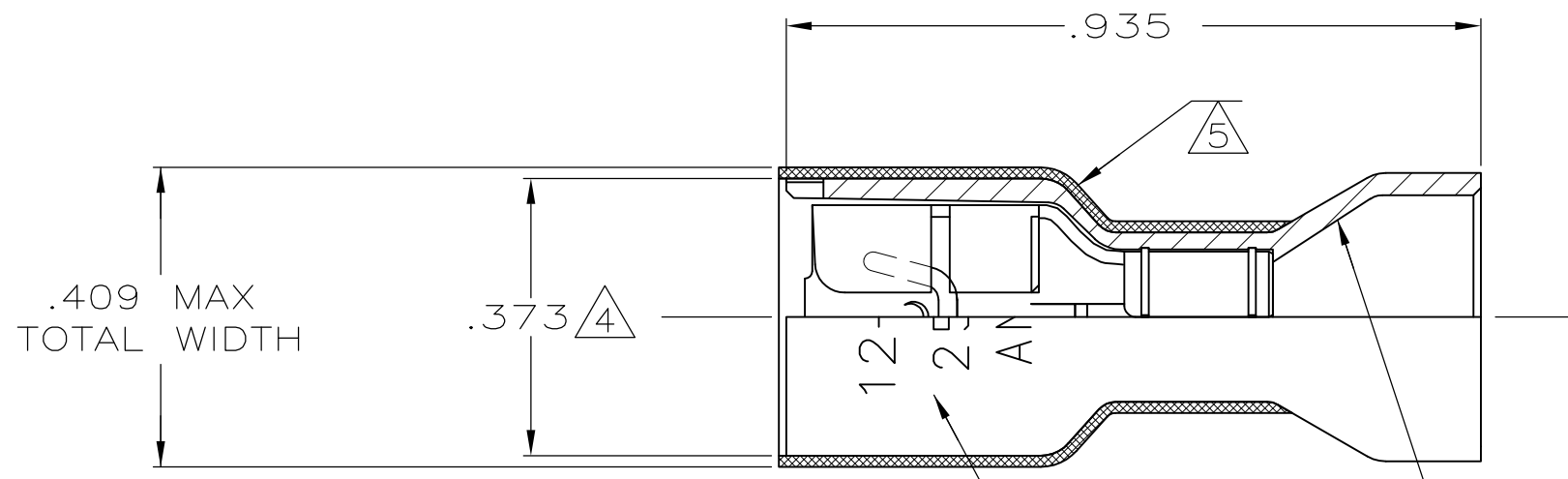
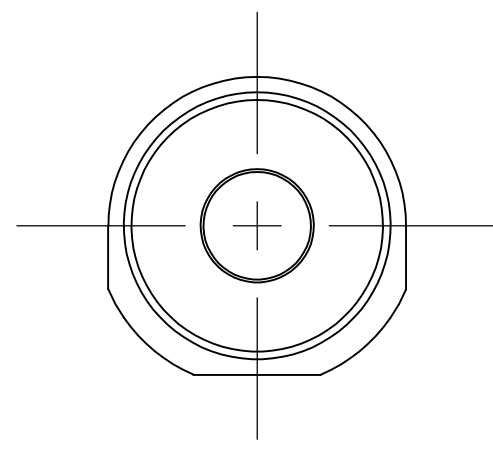
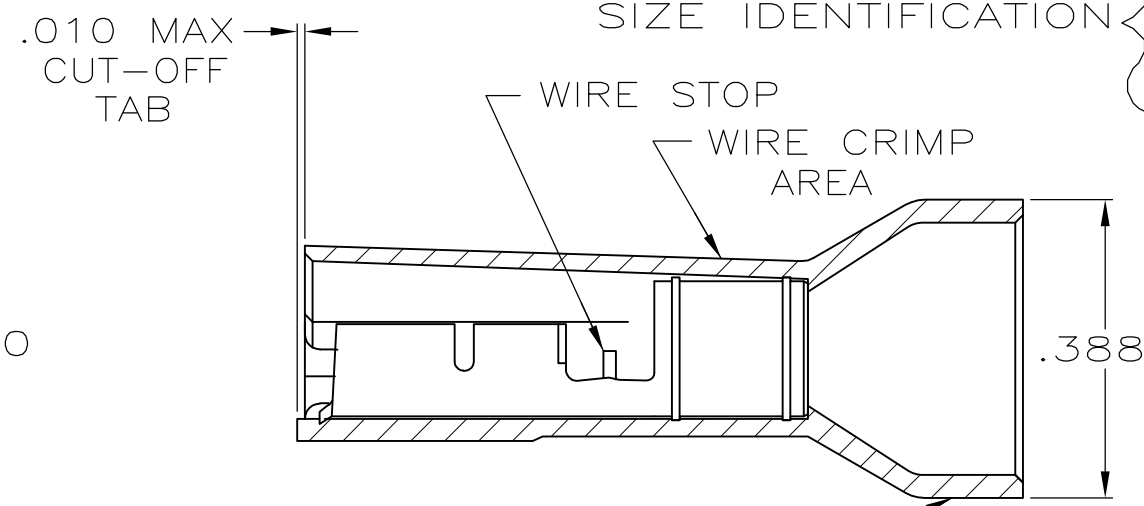
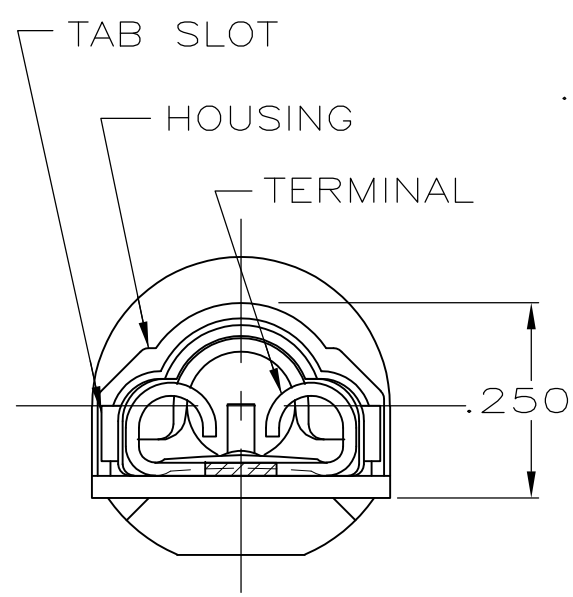


THIS DRAWING IS UNPUBLISHED. RELEASED FOR PUBLICATION
 © COPYRIGHT - By - ALL RIGHTS RESERVED.

LOC	DIST	REVISIONS					
AF	50	P	LTR	DESCRIPTION	DATE	DWN	APVD
			K	REVISED PER ECR-13-004343	30JUL13	KH	KR



- 1 MATES WITH .032±.001x.250 TAB
- 2 WIRE STRIP LENGTH .312
- 3 INSULATION SIZE .320 MAX DIA
- △4 DIMENSION DOES NOT INCLUDE TRIM BURR
- △5 .015 MAX CARRIER TRIM BURR PER SIDE IS ALLOWABLE IN THE SHADED AREA



HOUSING: NYLON, COLOR-YELLOW TRANSLUCENT
 RECEPTACLE: BRASS, TIN

MATERIAL & FINISH PART NO
 4-520448-2

THIS DRAWING IS A CONTROLLED DOCUMENT.		DWN P FORTNEY 11/4/88	TE Connectivity RECEPTACLE ASSEMBLY, ULTRA-FAST, LOOSE PIECE .250 SERIES, 12-10 AWG			
DIMENSIONS: INCHES		CHK MS FEHER 11/7/88				
TOLERANCES UNLESS OTHERWISE SPECIFIED:		APVD K RANDOLPH 11/7/88				
0 PLC ± - 1 PLC ± - 2 PLC ± - 3 PLC ± .015 4 PLC ± - ANGLES ± -		NAME				
MATERIAL SEE TABLE		FINISH SEE TABLE	PRODUCT SPEC 108-2043	APPLICATION SPEC 114-2035	RESTRICTED TO	
			WEIGHT -	SIZE A3	CAGE CODE 00779	DRAWING NO C-520448
CUSTOMER DRAWING			SCALE 4:1	SHEET 1 OF 1	REV K	